



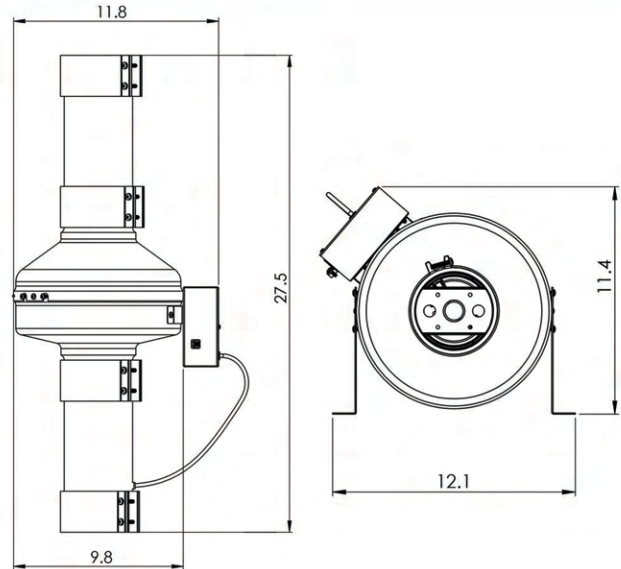
Submittal Sheet

VTX-DEDPV

Dryer Exhaust Duct Power Ventilator

Standard Features

- The VTX-DEDPV automatically energizes when the dryer is operated.
- A LED light on the remote panel indicates proper fan operation to the dryer operator as well as notifies in the event of a problem.
- The VTX-DEDPV monitors the internal pressure, it will detect and notify the homeowner in the event of a blockage.
- A thermal fuse will shut down the fan in case of a dryer fire.
- Maintains 1,200 FPM air velocity.
- Certified DEDPV UL705 CSA C22.2 #113 Clause 12
- 10 year warranty.



VTX-DEDPV

ALL VTX PRODUCTS INCORPORATE MOTORS SUITABLE FOR 120 Volts AC 60Hz ELECTRICAL SUPPLY ONLY

Duct Dia.	RPM	Volts	Rated Watts	Max Amps	Static Pressure in Inches W.G.											Max Ps
					0"	0.125"	0.2"	0.25"	0.375"	0.5"	0.75"	1"	1.25"	1.5"	2"	
4"	2970	120	68	0.56	198	184	175	169	156	143	121	96	69	41	0	1.852"

Performance certified is for installation type D - Ducted inlet, Ducted outlet. Speed (RPM) shown is nominal. Performance is based on actual speed of test. Performance ratings include the effects of appurtenances (accessories) Inlet Duct, Inlet Bell, Outlet Duct

Fan Specifications						Motor Specifications				
Fan Model	Qty	CFM	SP	RPM	Sones	Watts	Volts	Phase	Hertz	

Accessories	1	2	3	4	Remarks

Project _____ Submitted _____
 Customer _____ Approved _____
 Location _____



2480 Boul. des Entreprises Terrebonne, Quebec J6X 4J8 CANADA
 T: 450.477.1100 F: 514.313.5700 TF: 1.800.489.1301
 WWW.ATMOSPHERE.COM

FEBRUARY 2020

Customer support : info@atmosphere.com
 Sales inquiries : sales@atmosphere.com



Panasonic

Panasonic is the exclusive distributor of Atmosphere products in the US

Panasonic IAQ Division
 Two Riverfront Plaza
 Newark, NJ 07102
 na.panasonic.com/us/iaq

For Order Information
 PHONE: 866-292-7299
 FAX: 888-553-0723
 ventfans@us.panasonic.com

Design and specifications subject to change without notice.