

# Dial-A-Temp

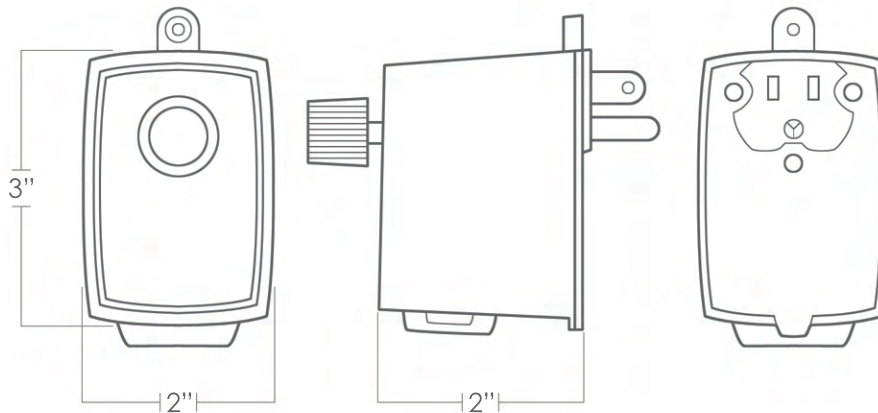
DAT

## Solid State Variable Speed Control

The **DIAL-A-TEMP** is a long lasting, solid state motor control. It is both convenient and safe to install. Rugged construction inside and out... Used with thermally protected, permanent split capacitors (PSC), universal or shaded pole motors and packaged in a handsome fire- retardant thermoplastic enclosure.

### Design Features:

- Plug-in design - no tools required
- UL Listed
- Fire retardant thermoplastic enclosure
- Rugged construction and compact
- On-Off switch, high to low variable
- No internal wiring - just plug in and enjoy
- One Year Warranty
- Helps reduce fan or blower noise
- Max input 120 V 2.5 A, 50/60 Hz
- Max output: 2.5 FLA, 6 LRA, 300W



2480 Boul. des Entreprises Terrebonne, Quebec J6X 4J8 CANADA  
T: 450.477.1100 F: 514.313.5700 TF: 1.800.489.1301  
WWW.ATMOSPHERE.COM

FEBRUARY 2020

Customer support : [info@atmosphere.com](mailto:info@atmosphere.com)  
Sales inquiries : [sales@atmosphere.com](mailto:sales@atmosphere.com)



## Panasonic

**Panasonic is the exclusive distributor of  
Atmosphere products in the US**

Panasonic IAQ Division  
Two Riverfront Plaza  
Newark, NJ 07102  
[na.panasonic.com/us/iaq](http://na.panasonic.com/us/iaq)

For Order Information  
PHONE: 866-292-7299  
FAX: 888-553-0723

[ventfans@us.panasonic.com](mailto:ventfans@us.panasonic.com)

Design and specifications subject to change without notice.