



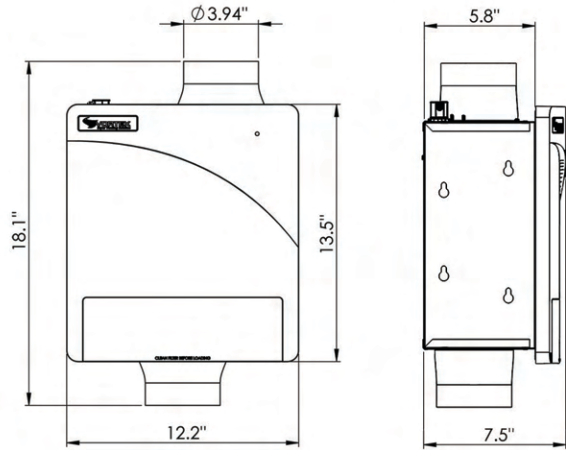
# Submittal Sheet

## DBF-DEDPV

Dryer Exhaust Duct Power Ventilator

### Standard Features

- The DBF-DEDPV automatically energizes when the dryer is operated.
- A LED light on the front panel indicates proper fan operation to the dryer operator as well as notifies in the event of a problem.
- The DBF-DEDPV monitors the internal pressure, it will detect and notify the homeowner in the event of a blockage.
- A thermal fuse will shut down the fan in case of a dryer fire.
- Maintains 1,200 FPM air velocity.
- Certified DEDPV UL705 CSA C22.2 #113 Clause 12
- 10 year warranty.



### DBF-DEDPV

ALL VTX PRODUCTS INCORPORATE MOTORS SUITABLE FOR 120 Volts AC 60Hz ELECTRICAL SUPPLY ONLY

Duct Dia.	RPM	Volts	Rated Watts	Max Amps	Static Pressure in Inches W.G.											Max Ps
					0"	0.125"	0.2"	0.25"	0.375"	0.5"	0.75"	1"	1.25"	1.5"	2"	
4"	2970	120	68	0.56	192	182	176	172	163	154	130	105	77	50	0	2.004

Performance certified is for installation type D - Ducted inlet, Ducted outlet. Speed (RPM) shown is nominal. Performance is based on actual speed of test. Performance ratings include the effects of appurtenances (accessories) Inlet Duct, Inlet Bell, Outlet Duct

Fan Specifications						Motor Specifications			
Fan Model	Qty	CFM	SP	RPM	Sones	Watts	Volts	Phase	Hertz

Accessories	1	2	3	4	Remarks

Project \_\_\_\_\_ Submitted \_\_\_\_\_  
 Customer \_\_\_\_\_ Approved \_\_\_\_\_  
 Location \_\_\_\_\_



2480 Boul. des Entreprises Terrebonne, Quebec J6X 4J8 CANADA  
 T: 450.477.1100 F: 514.313.5700 TF: 1.800.489.1301  
 WWW.ATMOSPHERE.COM

FEBRUARY 2020

Customer support : info@atmosphere.com  
 Sales inquiries : sales@atmosphere.com



**Panasonic is the exclusive distributor of Atmosphere products in the US**

Panasonic IAQ Division  
 Two Riverfront Plaza  
 Newark, NJ 07102  
 na.panasonic.com/us/iaq

For Order Information  
 PHONE: 866-292-7299  
 FAX: 888-553-0723  
 ventfans@us.panasonic.com

Design and specifications subject to change without notice.