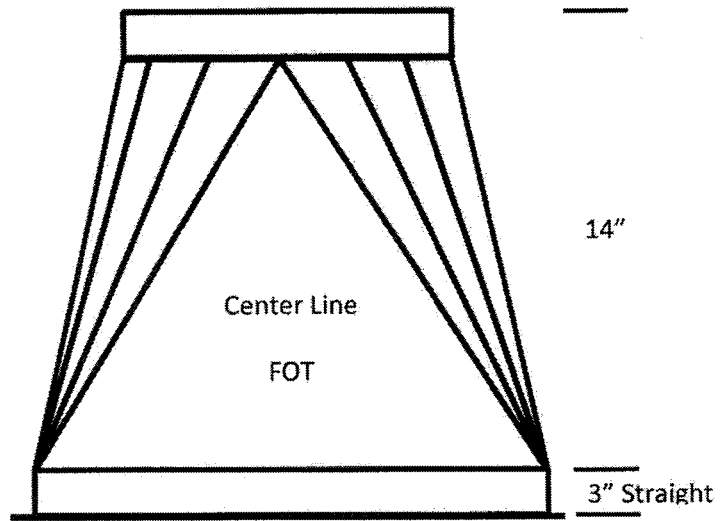


Part Number: DKN – FDXS09/12-R/A-12

Front View:

12" Round Small End Collar

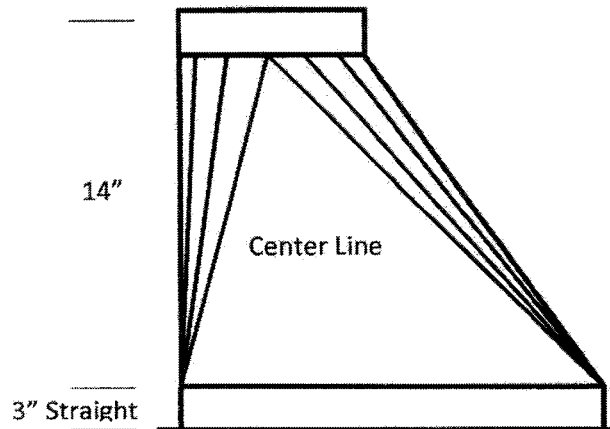


22 3/4" x 6 1/4"

1/2" Hem Flange Out

Side View:

12" Round Small End Collar

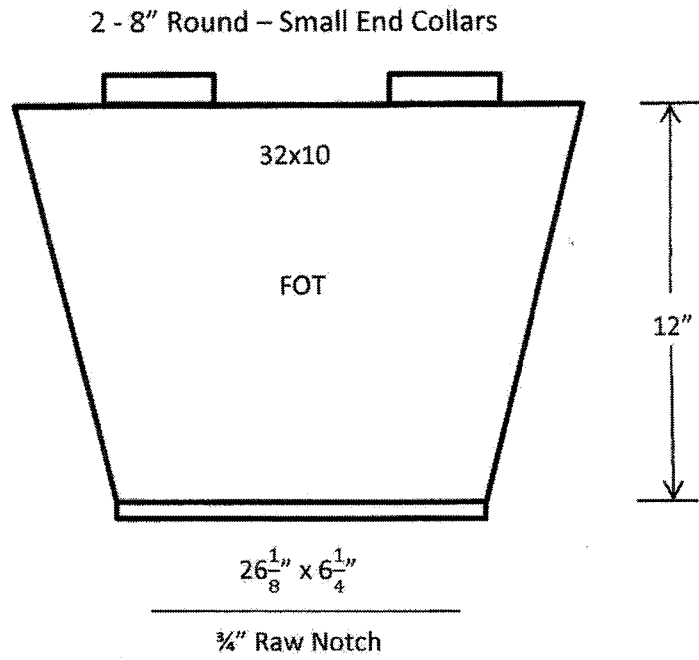


22 3/4" x 6 1/4"

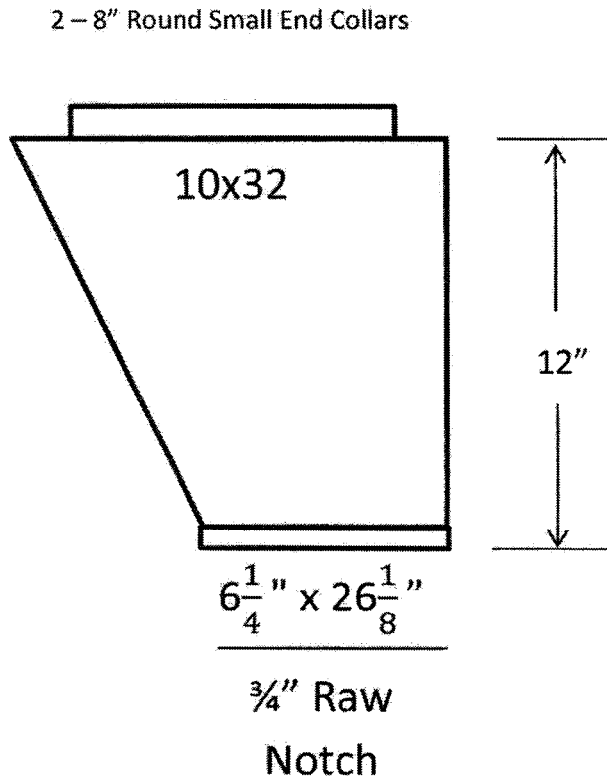
1/2" Hem Flange Out

Part Number: DKN – FDXS09/12-SA-8X2

Front View:



Side View:

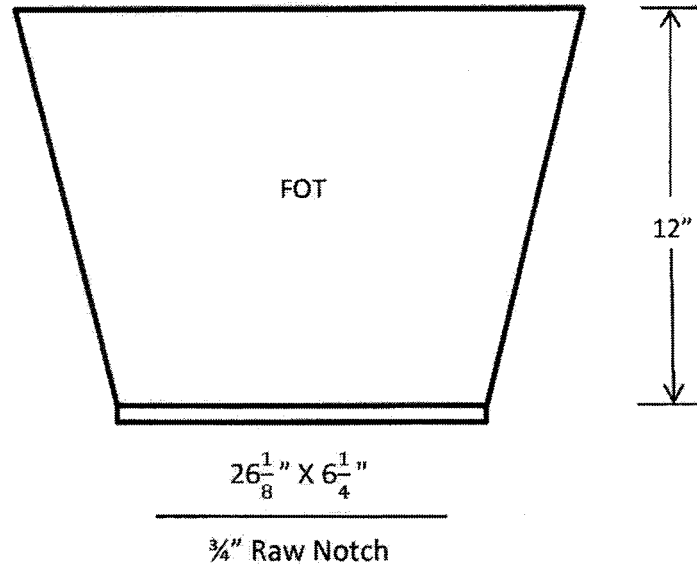


Part Number: DKN – FDXS-09/12-SA- Blank

Front View:

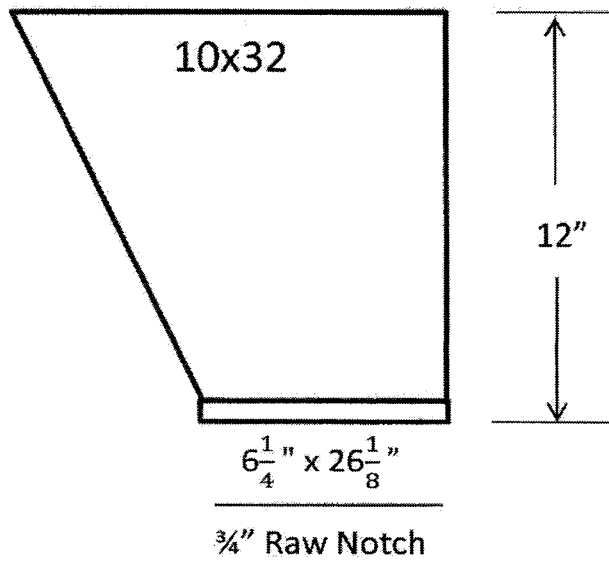
32 X 10

End Cap



Side View:

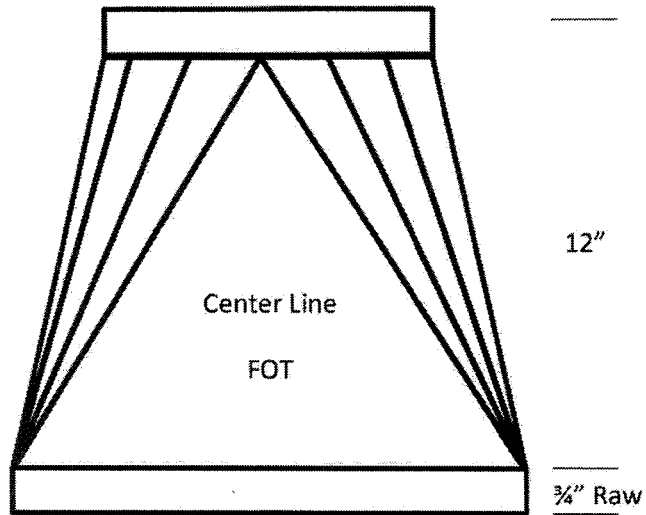
End Cap



Part Number: DKN-FDXS09/12xSA-10-14

Front View:

10" Round Small End Collar

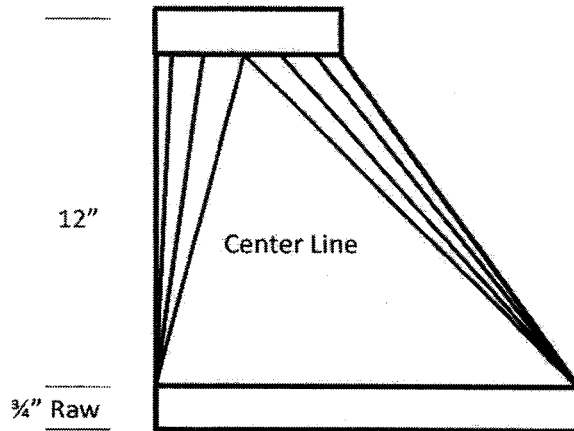


$26\frac{1}{8}'' \times 6\frac{1}{4}''$

$\frac{3}{4}''$ Raw

Side View:

10" Round Small End Collar



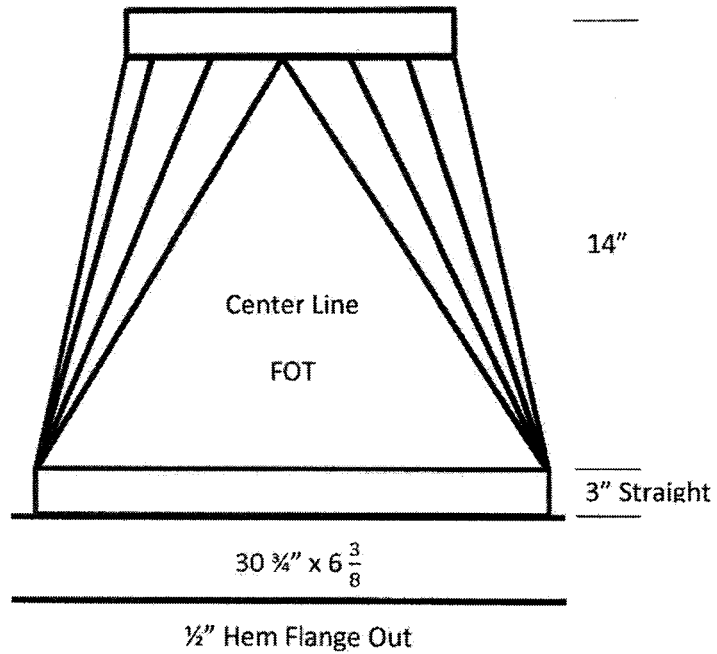
$26\frac{1}{8}'' \times 6\frac{1}{4}''$

$\frac{3}{4}''$ Raw

Part Number: DKN-CDXS-15/18-RA-14

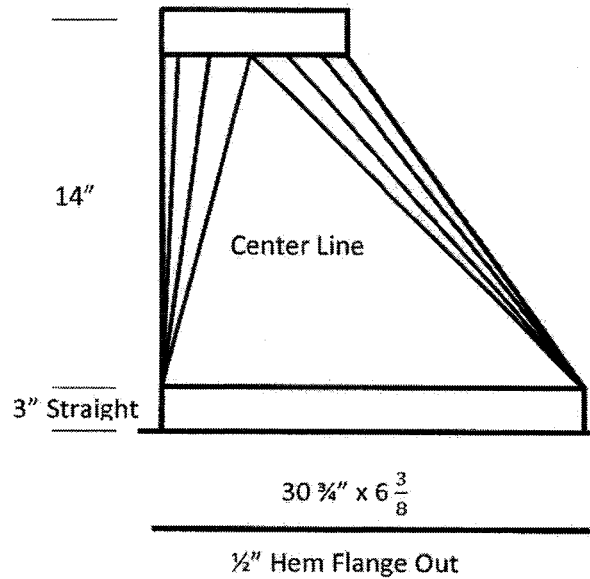
Front View:

14" Round Small End Collar



Side View:

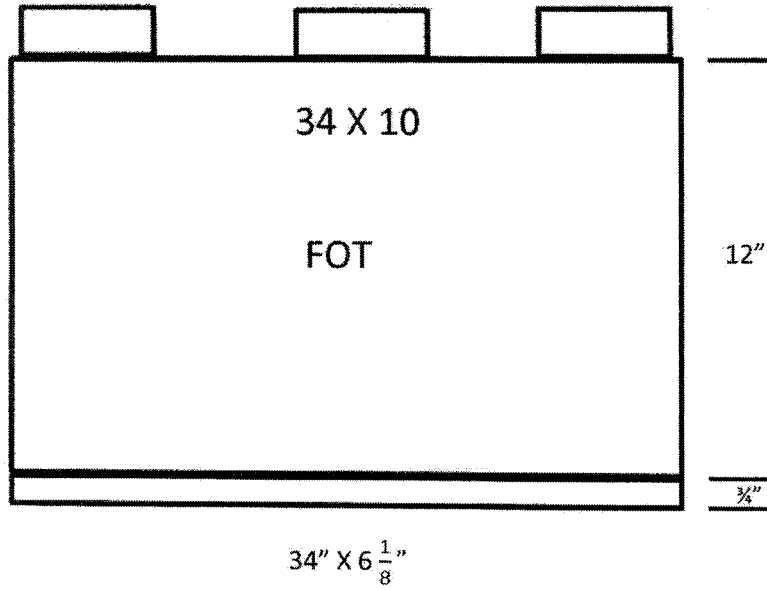
14" Round Small End Collar



Part Number: DKN-CDXS-15/18 SA-8x3

Front View:

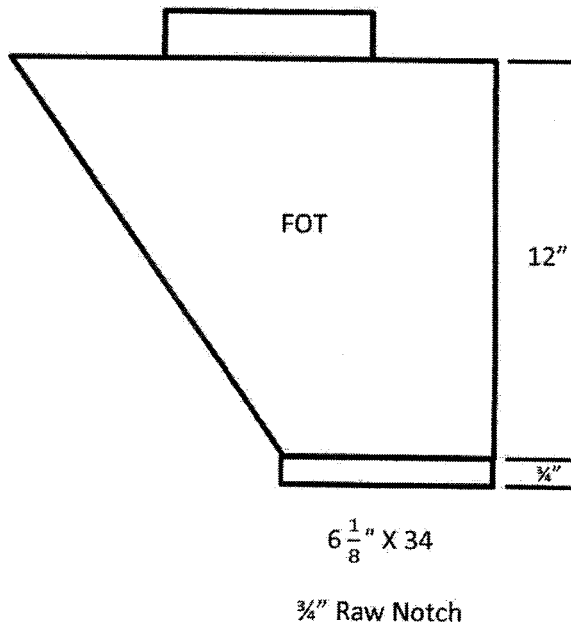
Three 8" Small End Collars



Side View:

3/4" Raw Notch

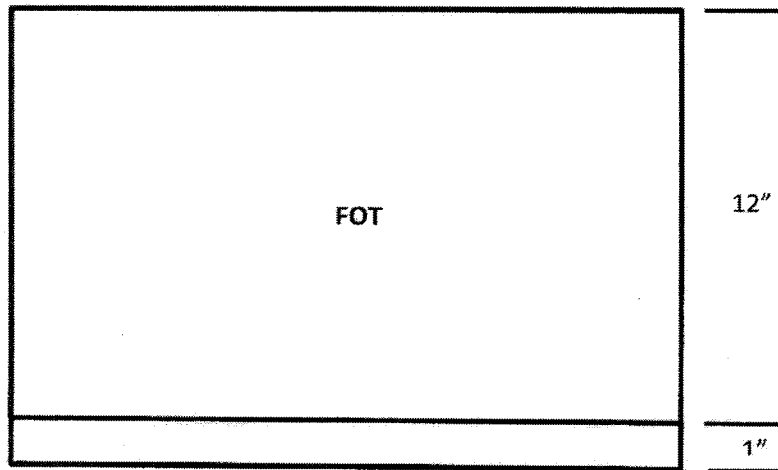
Three 8" Small End Collars



Part Number: DKN – CDXS 15/18-SA-Blank

34 X 10

End Cap



FOT

12"

1"

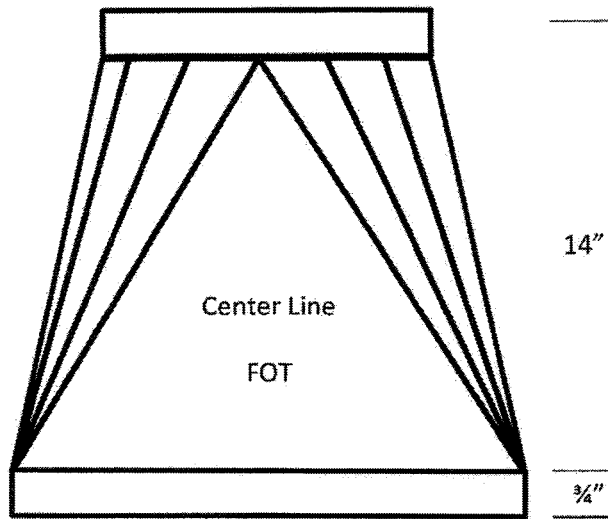
31 5/16" X 7 1/16"

1" Raw Straight

Part Number: DKN – CDXS 15-18-SA-12

Front View:

12" Round Small End Collar

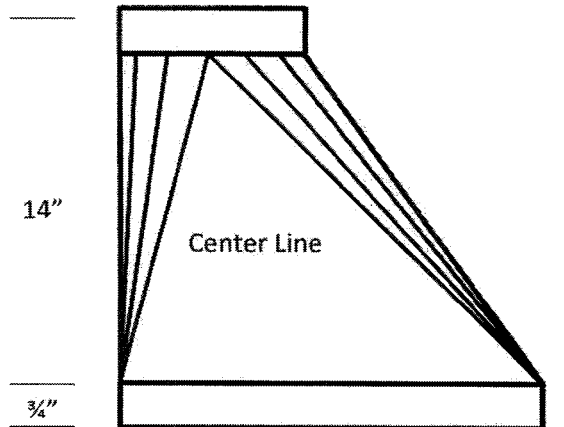


34" x 6 $\frac{1}{8}$ "

3/4" Raw

Side View:

12" Round Small End Collar



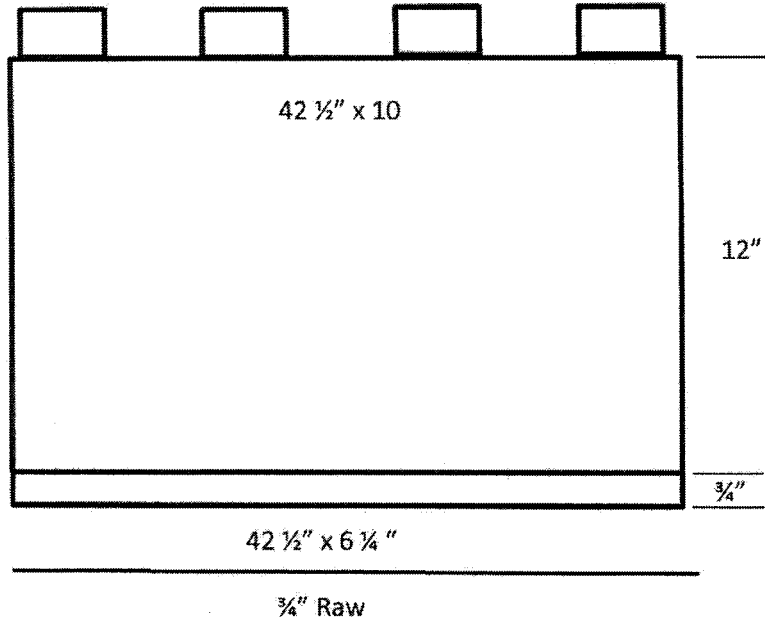
6 $\frac{1}{8}$ " x 34

3/4" Raw

Part Number: DKN – CDXS – 24 SA – 8x4

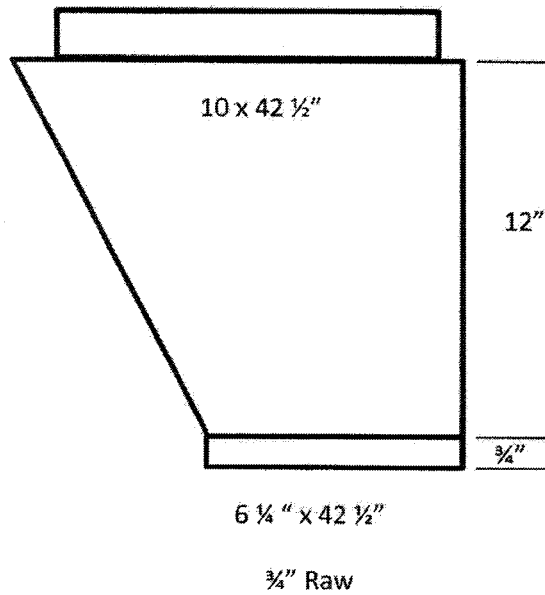
Front View:

Four 8" Small End Collars



Side View:

Four 8" Small End Collars

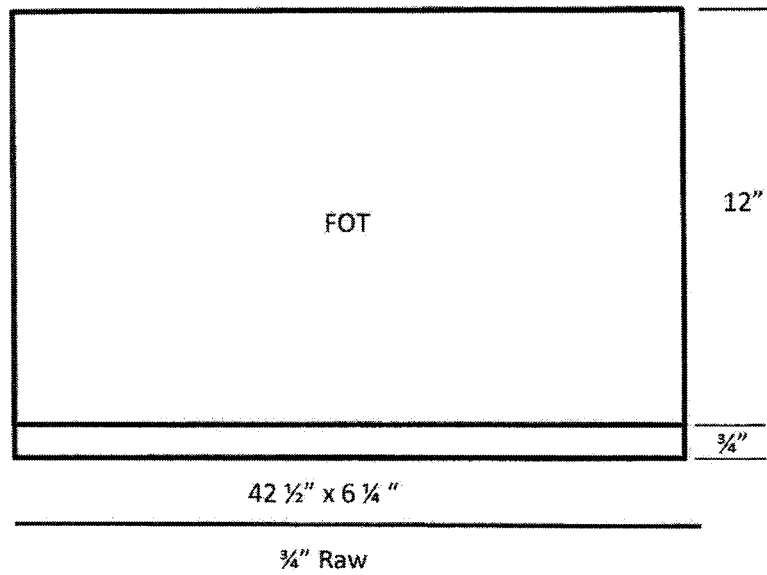


Part Number: DKN – CDXS – 24 SA Blank

Front View:

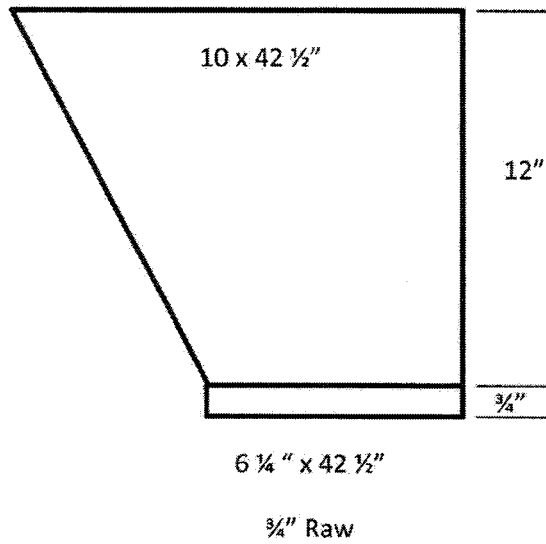
42 ½" x 10

END CAP



Side View:

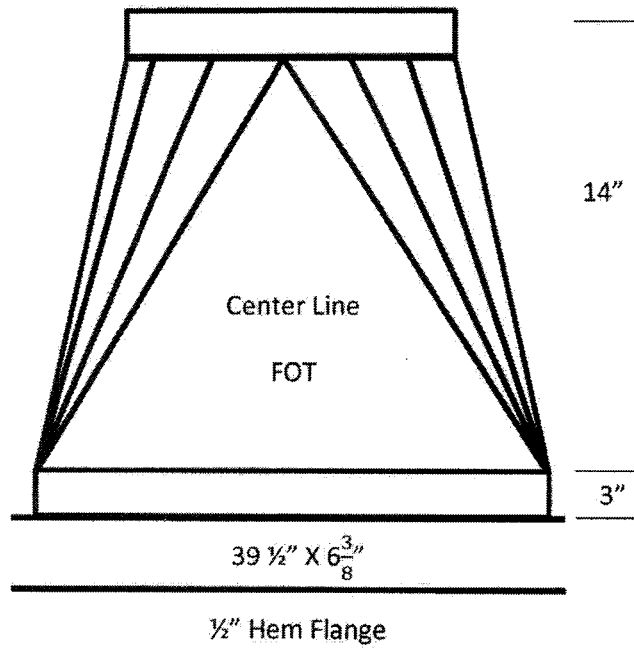
END CAP



Part Number: DKN CDXS 24 RA 14

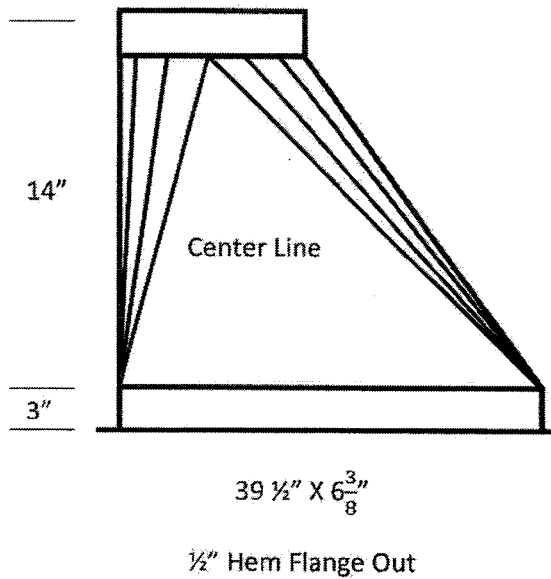
Front View:

14" Round Small End Collar



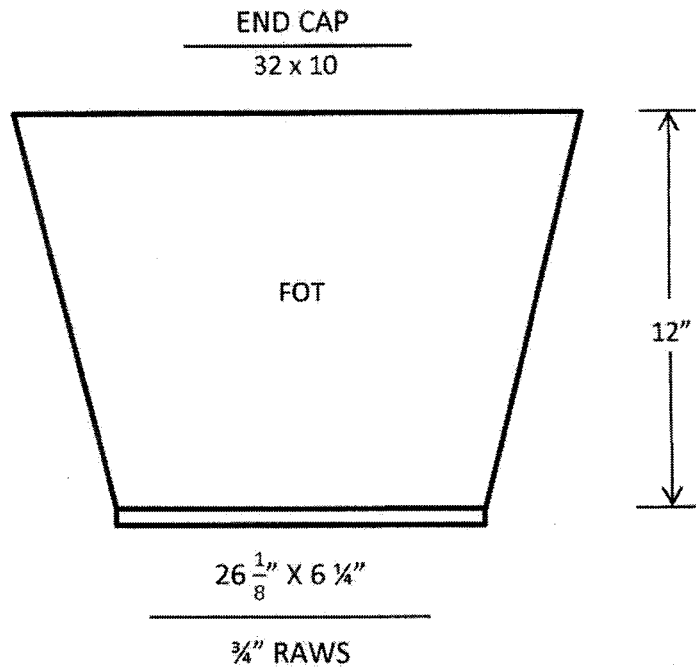
Side View:

14" Round Small End Collar

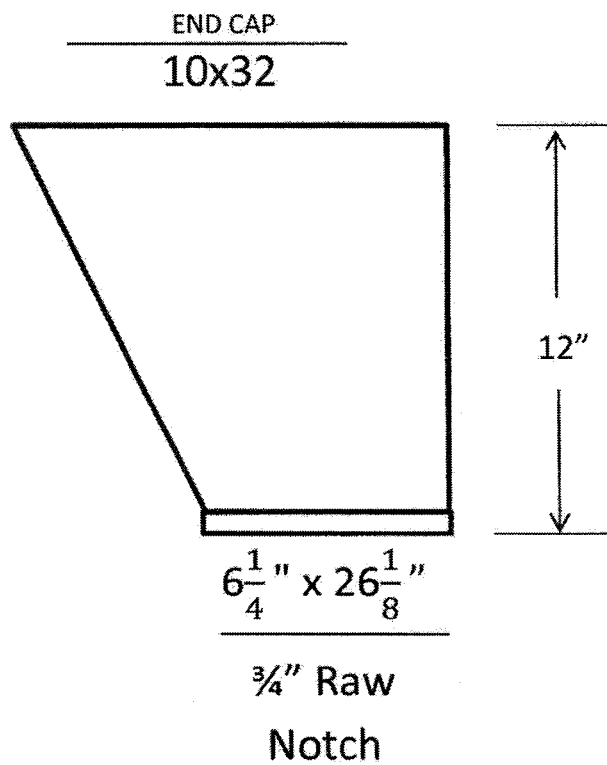


Part Number: DKN – FDXS 09/12-SA

Front View:



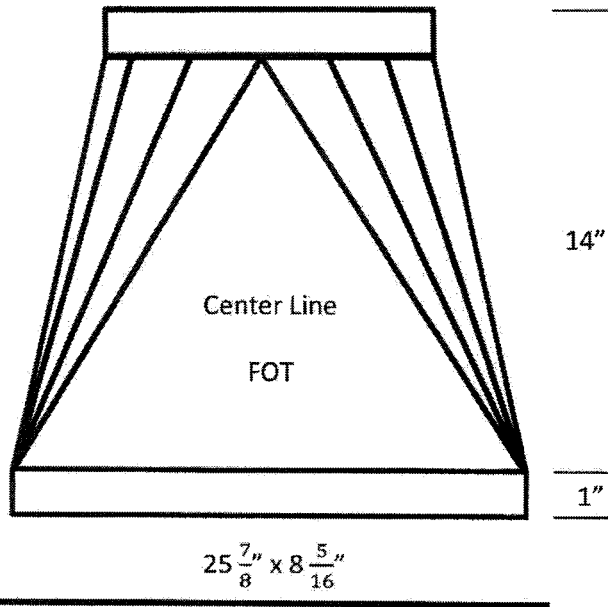
Side View:



Part Number: DKN-FDMQ-09/12-RA-12

Front View:

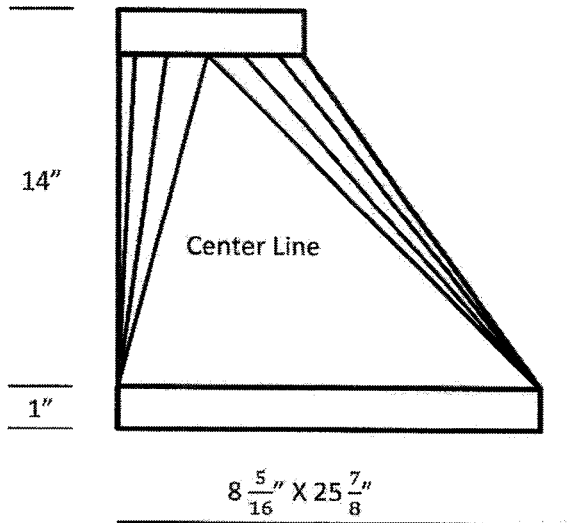
12" Round Large End Collar



1" Raw Straight

Side View:

12" Round Large End Collar

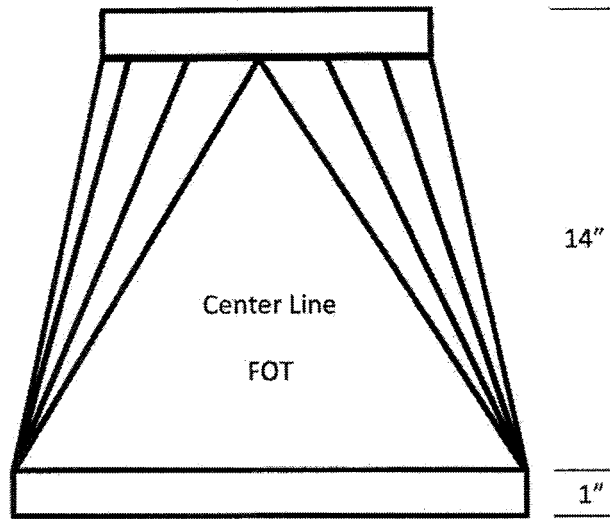


1" Raw Straight

Part Number: DKN-FDMQ-15/18/24-RA-14

Front View:

14" Round Small End Collar

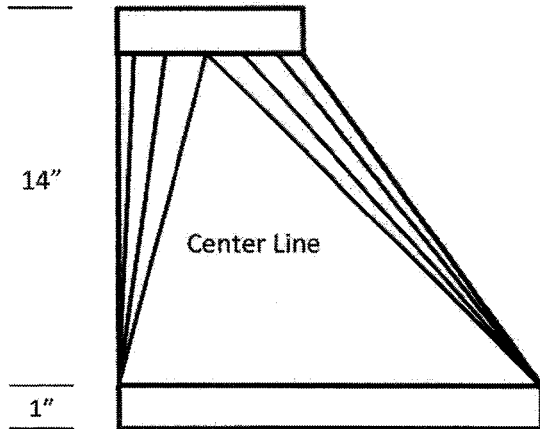


$$37 \frac{5}{8} \times 8 \frac{5}{16}$$

1" Raw Straight

Side View:

14" Round Small End Collar



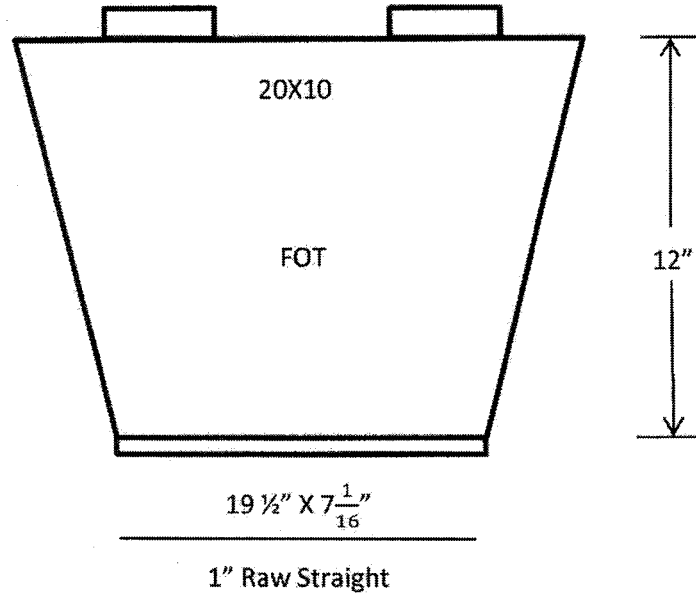
$$8 \frac{5}{16} \times 37 \frac{5}{8}$$

1" Raw Straight

Part Number: DKN – FDMQ – 09/12/-SA-8X2

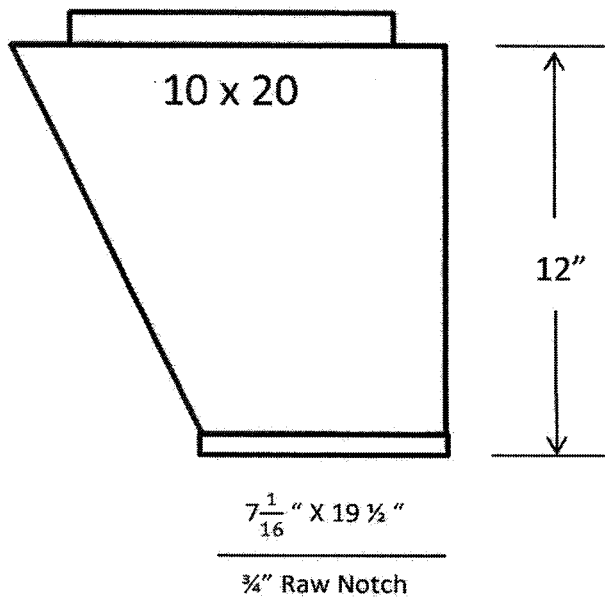
Front View:

2 - 8" Round – Small End Collars



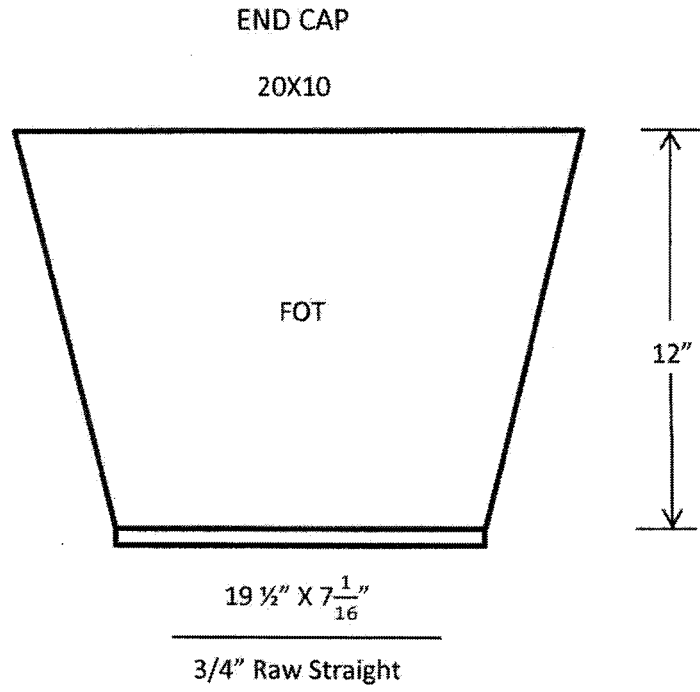
Side View:

2 - 8" Round Small End Collars

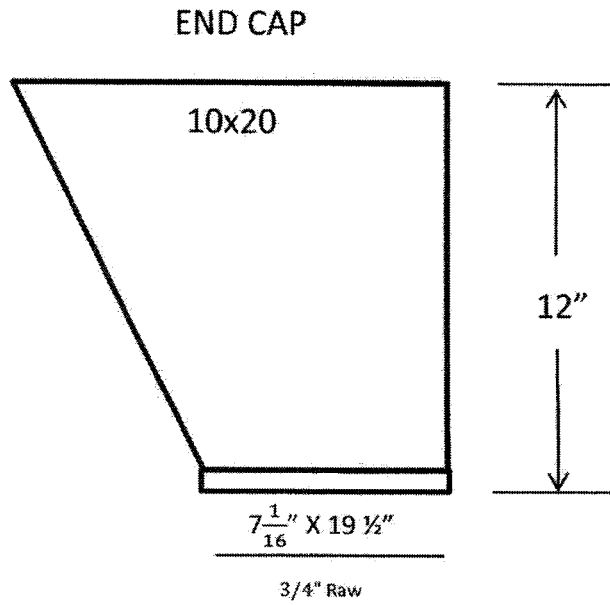


Part Number: DKN-FDMQ-09-12-SA-BLANK

Front View:



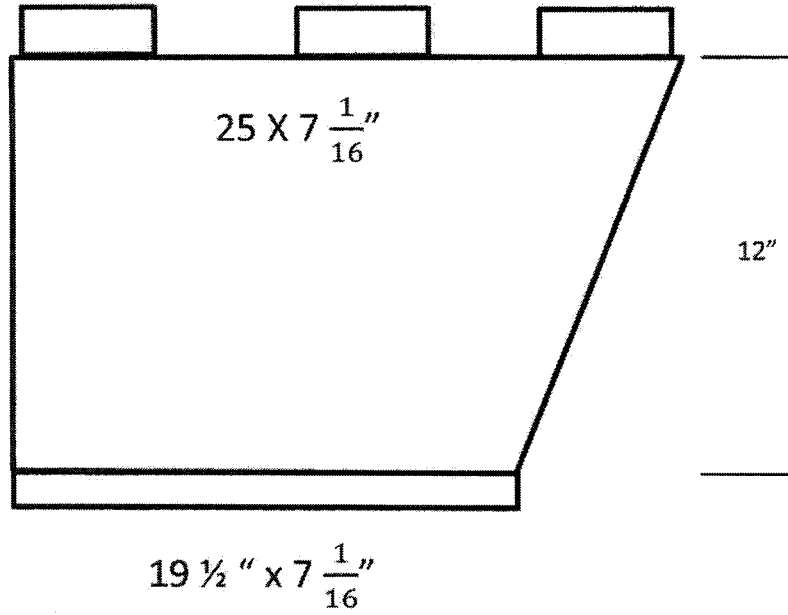
Side View:



Part Number: DKN – FDMQ-09/12-SA-6x3

Front View:

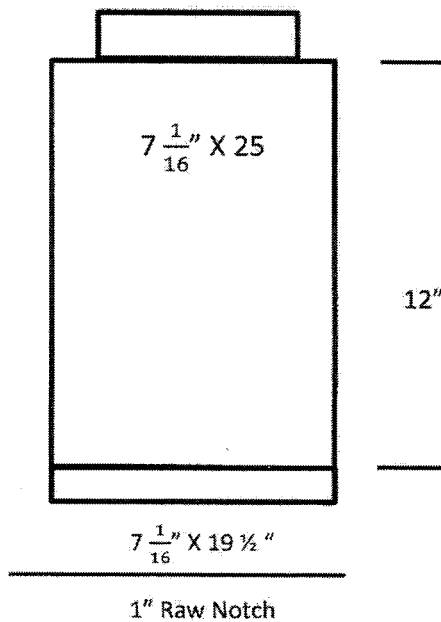
Three 6" Small End Collars



Side View:

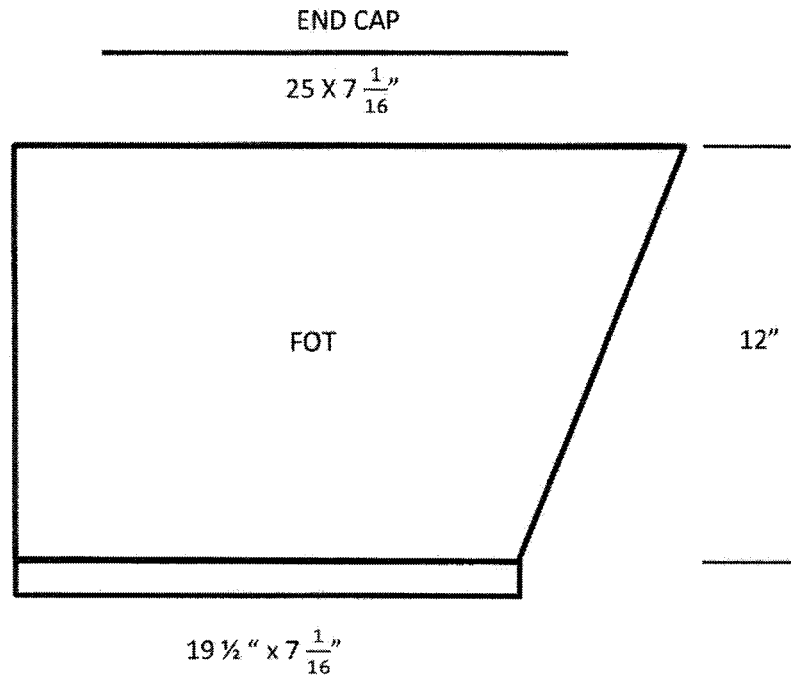
1" Raw Notch

Three 6" Small End Collars

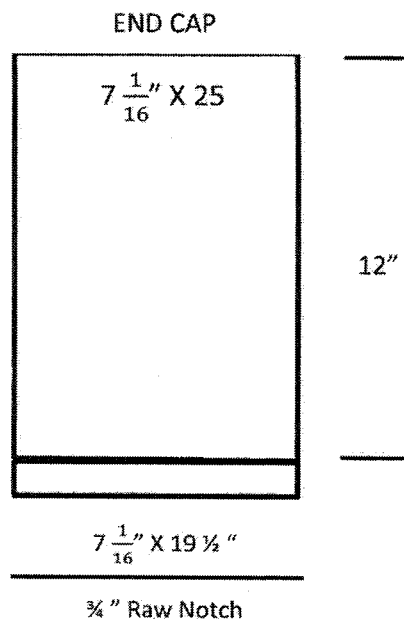


Part Number: DKN – FDMQ-09/12-SA-BLANK

Front View:



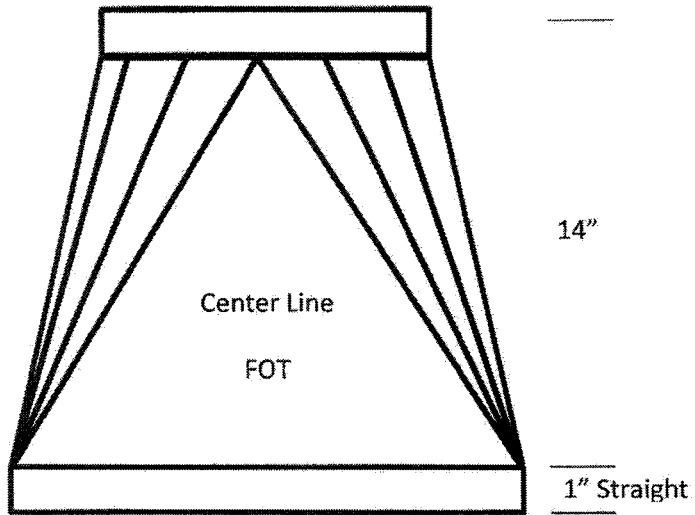
Side View:



Part Number: DKN – FDMQ – 09/12 – SA - 10

Front View:

10" Round Small End Collar

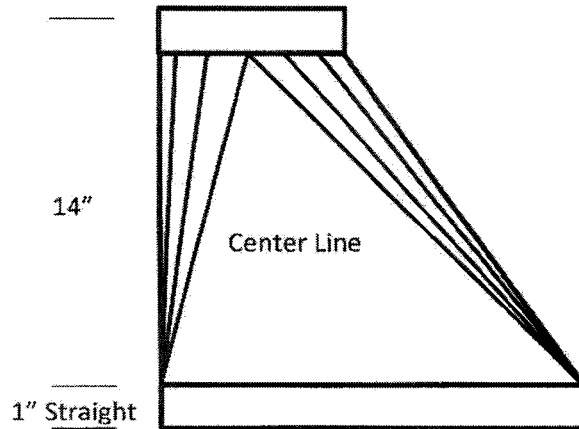


$19 \frac{1}{2}'' \times 7 \frac{1}{16}''$

1" Raw Straight

Side View:

10" Round Small End Collar



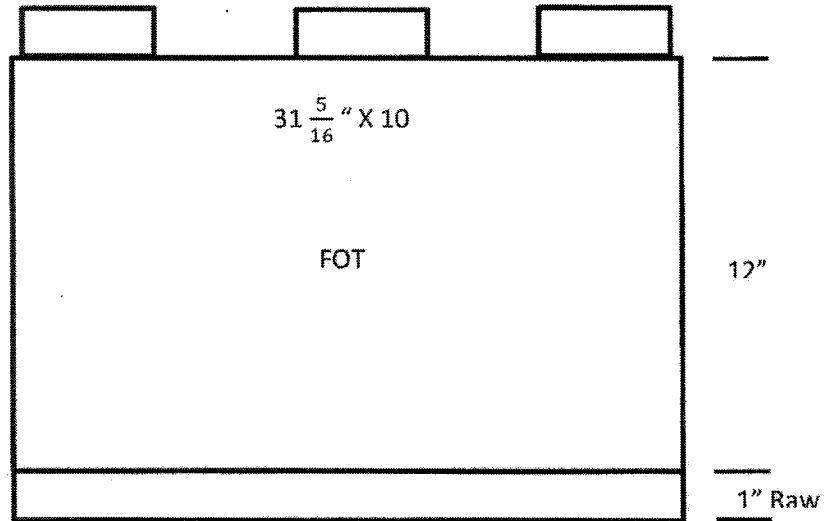
$7 \frac{1}{16}'' \times 19 \frac{1}{2}''$

1" Raw Straight

Part Number: DKN – FDMQ 15/18/24 SA 8X3

Front View:

Three 8" Small End Collars

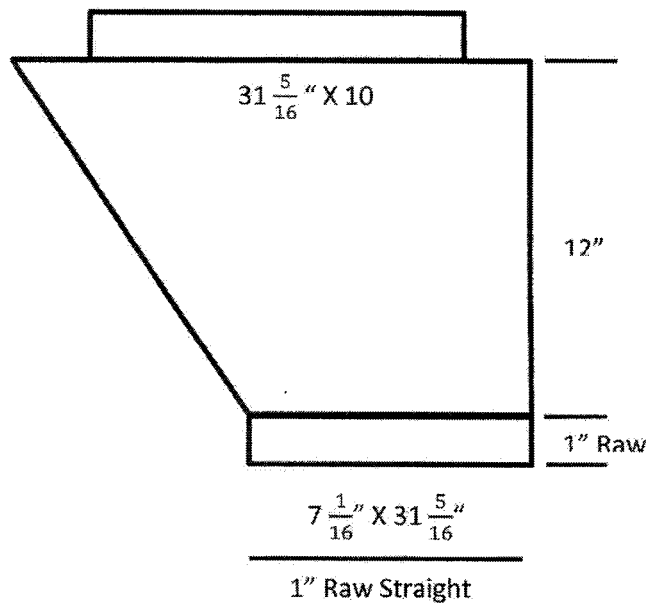


Side View:

$31 \frac{5}{16}$ " X $7 \frac{1}{16}$ "

1" Raw Straight

Three 8" Small End Collars

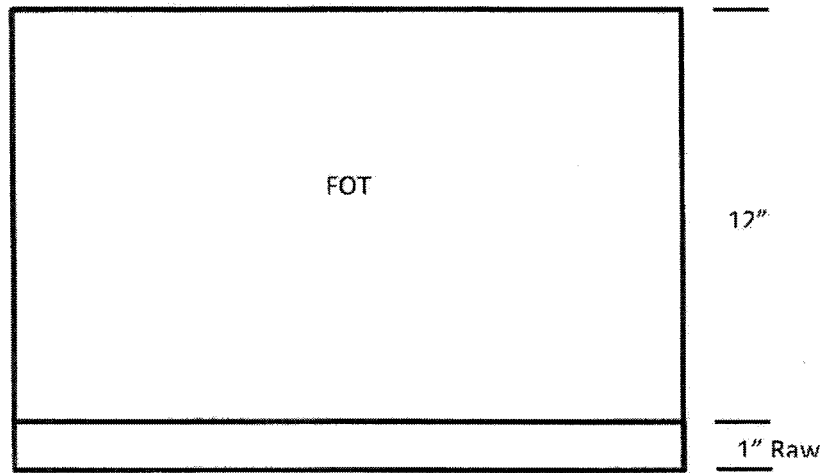


Part Number: DKN – FDMQ 15/18/24 SA Blank

Front View:

$31 \frac{5}{16}'' \times 10''$

END CAP



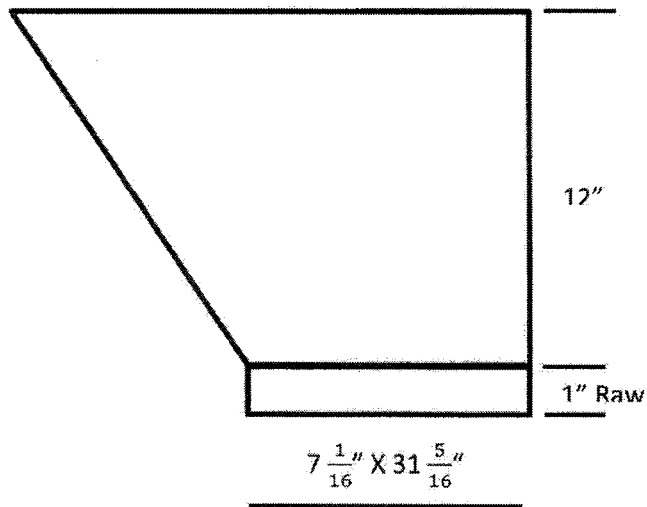
Side View:

$31 \frac{5}{16}'' \times 7 \frac{1}{16}''$

1" Raw Straight

$31 \frac{5}{16}'' \times 10''$

END CAP

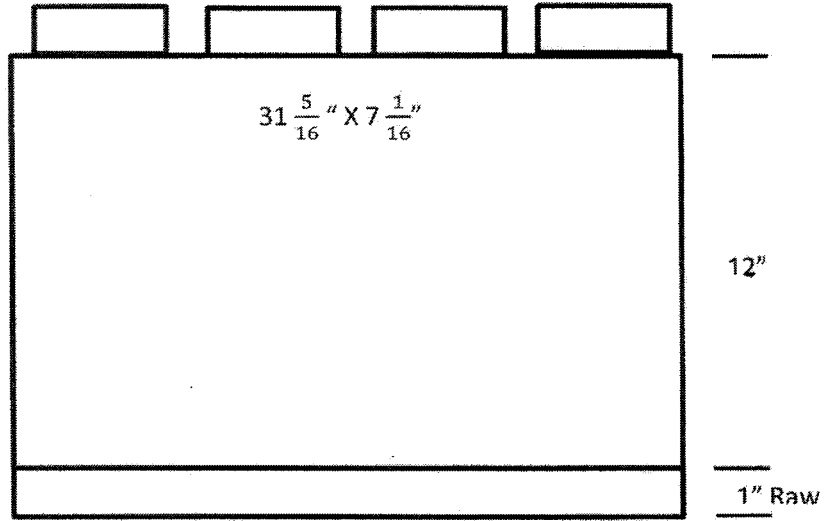


1" Raw Straight

Part Number: DKN – FDMQ 15/18/24 SA 6x4

Front View:

Four 6" Small End Collars



$31 \frac{5}{16}$ " X $7 \frac{1}{16}$ "

12"

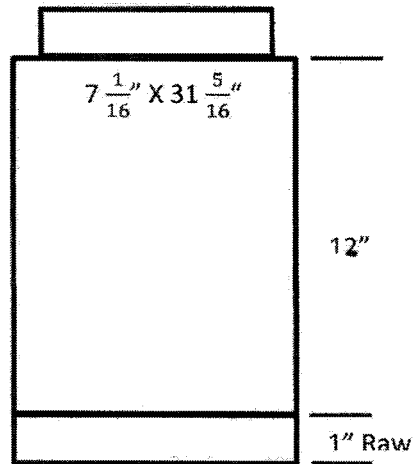
1" Raw

Side View:

$31 \frac{5}{16}$ " X $7 \frac{1}{16}$ "

1" Raw Straight

Four 6" Small End Collars



$7 \frac{1}{16}$ " X $31 \frac{5}{16}$ "

12"

1" Raw

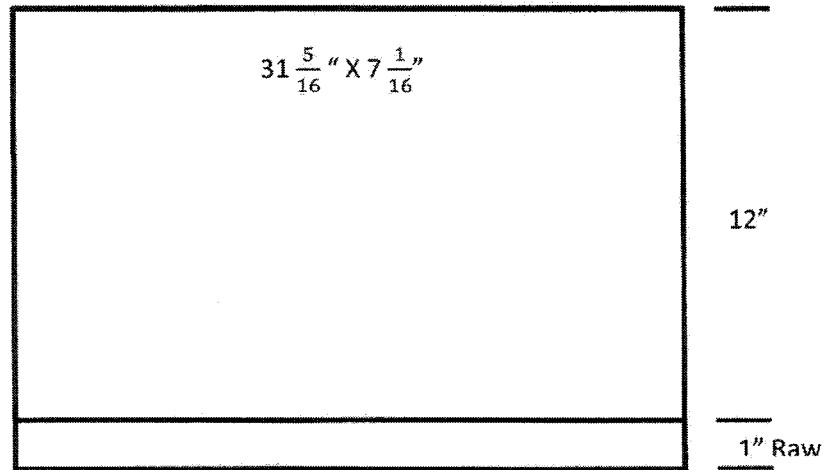
$7 \frac{1}{16}$ " X $31 \frac{5}{16}$ "

1" Raw Straight

Part Number: DKN – FDMQ 15/18/24 SA Blank

Front View:

End Cap

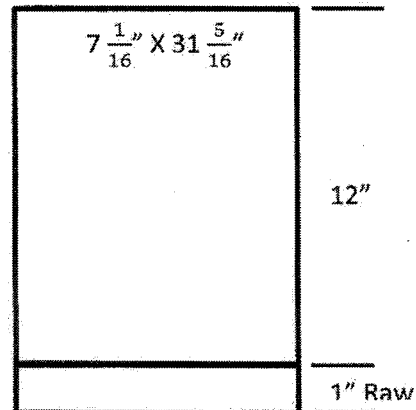


Side View:

$31 \frac{5}{16}'' \times 7 \frac{1}{16}''$

1" Raw Straight

End Cap



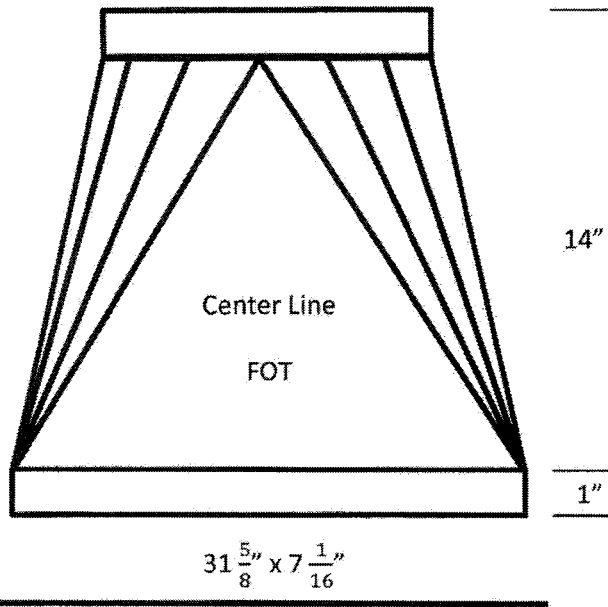
$7 \frac{1}{16}'' \times 31 \frac{5}{16}''$

1" Raw Straight

Part Number: DKN-FDMQ-15/18/24-RA-14

Front View:

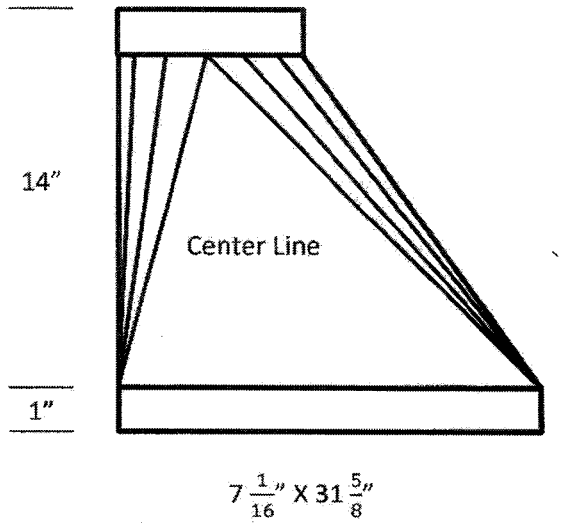
14" Round Small End Collar



1" Raw Straight

Side View:

14" Round Small End Collar



1" Raw Straight